

FEATURES

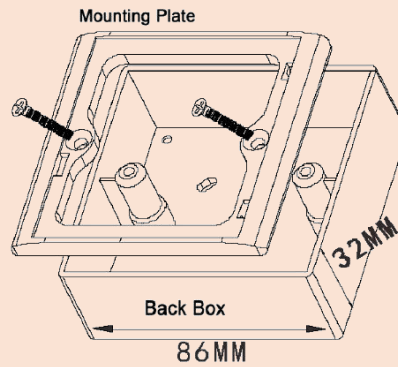
- * Utilizing emergency start and abort functions
- * Two steps of activations and resettable with special key
- * Plastic material of low profile
- * Compatible with conventional gas extinguishing panel



DESCRIPTION

VG-6753 Start/Abort Button, as a filed device of conventional gas extinguishing system, is used to manually start or stop gas release. It is designed for two access-levels and resettable with special key.

DIMENSION



TECHNICAL DATA

Operating Voltage	DC22V-V30	Temperature	-10°C ~ 45°C
Standby Current	≤0.4mA	Humidity	≤95%RH (40±2°C)
Contact Capacity	24V/5A	Installation	Wall-mount